

User's Manual

-Models-

MIDORI-36, MIDORI-42, MIDORI-48, MIDORI-60, MIDORI-72



108 Pico St, Pomona, CA 91766 USA
Tel. (909) 865-7111 Fax. (909) 865-9222
www.YOSHIMASA.usa.com, info@yoshimasausa.com

Thank you for purchasing a MIDORI Air Curtain.

Before use please carefully read this user's manual and have installed by a specialist. Be sure to completely read these instructions before any attempts are made to install this product. It is for your own personal safety and if you fail to observe them, the results can be potential injury and or damage to yourself and to the property itself. Only use this product for its intended use. Save this manual so you may refer to it in the future.

WARNING!

1. If the supply cord is damaged, it must be replaced by the manufacturer, its agent or similarly qualified persons in order to avoid a hazard.
2. This appliance is not intended for use by persons (including children) with reduced physical, sensory or mental capabilities, or lack of experience and knowledge, unless they have been given supervision or instruction concerning use of the appliance by a person responsible for their safety.
3. Children should be supervised to ensure that they do not play with the appliance.
4. The method of fixing is not to depend on the use of adhesives since they are not considered to be a reliable fixing means.
5. Ensure that the fan is switched off from the supply mains before removing the guard.

1. Product Overview

Our company produces the MIDORI air curtain, which can be used to ventilate domains with many years of accumulations of the core technologies. We have absorbed domestic and foreign advanced experiences fully in the foundation, and developed a new generation sequence product. This product's air volume is suitable, the noise is low, suitable for installing in guesthouse, meeting room, theater, office, freezer storage, operating room and so on. Widely applies electron, measuring appliance, drugs manufacture, food, precision sizing, and medical service. (For example entrance) forms the curtain wall in the specific region, cuts off the inside and outside air from mixing, the reduced heat change, moisture-proof, provides against pollution, and against fly screen.

2. Type/Style

Air curtain details in the following table:

Type/Style	
Air Curtain Machine	Non Heating Air Curtain
Installation Direction	Horizontal Installment
Series	Centrifugal Series

3. Select Model

Select the model mainly on the basis of the width and height of the door, the length of air curtain and the wind wheel diameter of air curtain. Generally speaking, the width of the door should be shorter than the length of the air curtain. Please use two or more assemblies. If the door is higher, please select the bigger diameter of wheel air curtain. Otherwise, then select the smaller diameter of wheel air curtain. When the environment is quiet, please select the smaller diameter of wheel air curtain.

4. The Use Environment

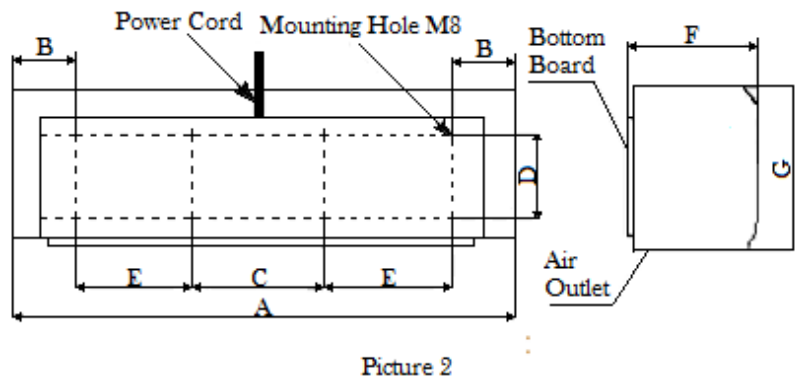
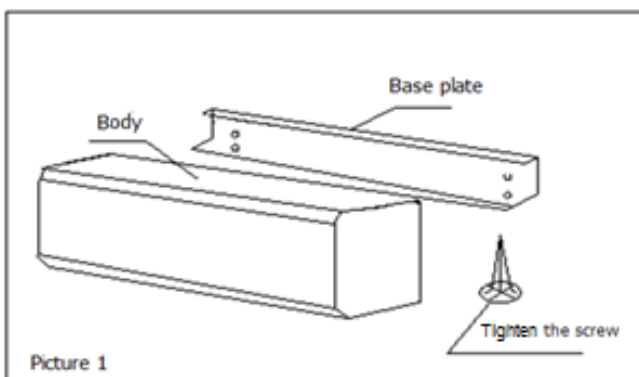
Project	Specification
Working conditions temperature, °F	14~104
Fixed supply voltage deviation, %	±10

5. Installment

The external dimensions and installation size (Inches):

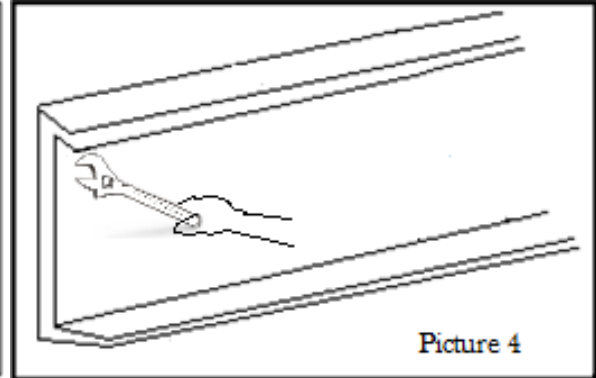
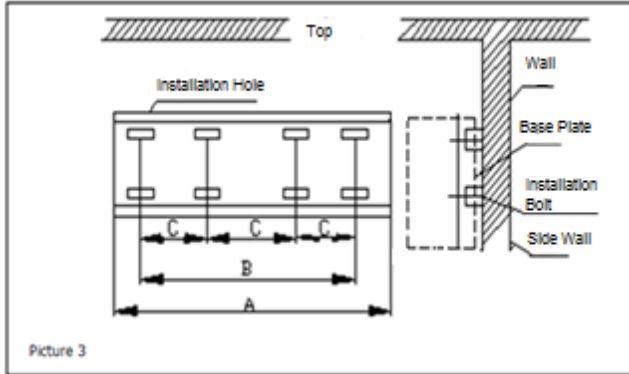
Model	A	B	C	D	E	F	G	Minimum Height Above Doorway
MIDORI-36	35 ½	4 ¼	-	7	13 ¾	8 ½	9 ¼	1 ¾
MIDORI-42	39 ¾	6 ¾	-	7	13 ¾	8 ½	9 ¼	1 ¾
MIDORI-48	47 ¼	3 ⅛	12 ⅞	7	12 ⅞	8 ½	9 ¼	1 ¾
MIDORI-60	59 ¼	2 ¾	12 ⅞	7	12 ⅞	8 ½	9 ¼	1 ¾
MIDORI-72	70 ⅞	2 ⅞	12 ⅞	7	12 ⅞	8 ½	9 ¼	1 ¾

The air curtain has already designated that for the best installment is a hole on the bottom for the user. Please loosen the binding screw. This separates the bottom from the box body and has been equipped with the installment hole on the bottom (Picture 1). When it is installed, the position must be accurate and be reliable, the method of installation is as follows:



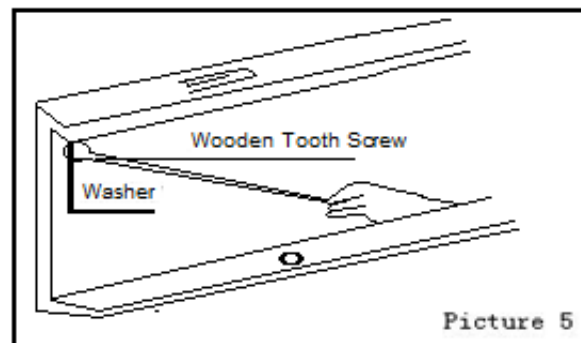
6. Installing On Concrete Walls

- (1) According to the different specifications, choose the position (Picture 2)
- (2) Splits out explodes bolt's hole which matches M8 to pull on the position, will pull explodes the bolt to fix on the concretes wall, simultaneously should protect bolt's swinging radius is 19/32 in. (Picture 3)
- (3) With the gasket, the nut fastens the bottom; install the complete machine (Picture 4)



7. Installing on Wooden Walls

With the wooden tooth screw fixed firmly on the bottom in a good position (Picture 5), then install the complete machine again.



8. Installation Precautions

When customer installs the air curtain, please note the following, can increase the efficiency of air curtain.

1. Please install on a solid location, which prevents the work from vibration, and prevents noise which vibration produces.
2. Please install the air curtain on the inside of the room. (If this product is installed outdoors, please make sure to protect it from all weather conditions.)
3. Please install to be suitable to the model; if the installation position is too high, will be unable to display its scheduled function.
4. When installing the air curtain, make sure the air outlet is right at the bottom of fitting surface.

5. If the width of the door is wider than the length of the air curtain, please use two or more assemblies. In this situation, please make sure the distance is about 25/32 in~1 ft. 37/64 in.
6. When installing the air curtain, please make sure the air curtain is hung on the wall plate and the wall cannot leave space.
7. The distance between the air curtain and the doorway should not be smaller than 1 3/8 in.
8. Please make sure of the level to install.
9. When installing, please make sure the distance between air outlet and the ground is more than 7 ft 6 1/2 in.

9. The Control and Use of Air Curtain

1. Installation of the magnetic door switch (Picture 6-1, 6-2). The air curtain can be controlled by this switch.

Part A goes on the door frame and Part B goes onto the door itself. As long as the magnets in both parts work when close to each other when the door is closed, the magnetic door switch has been properly installed. When the door is closed and both parts are close to each other, the air curtain will not be active and will be off. (Picture 6-1) Once the door is open and both parts are no longer near each other, the air curtain gets activated and will turn on. (Picture 6-2)

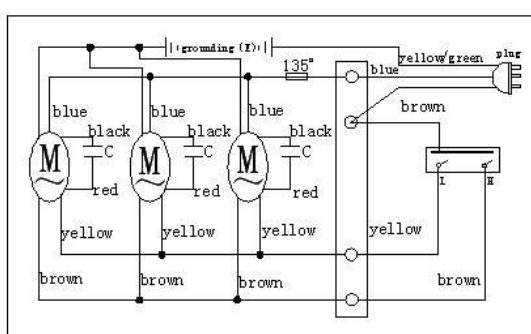


Picture 6-1

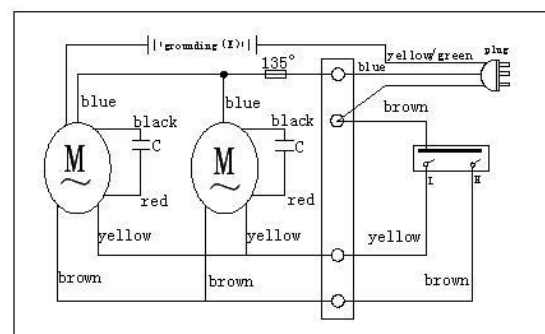


Picture 6-2

2. With the buttons on the air curtain itself you can switch between two speeds on the air curtain control circuit (Picture 7-1, 7-2); once you have pressed the ON button please press LO or HI, then after obtaining the appropriate air speed, press the OFF button to stop.

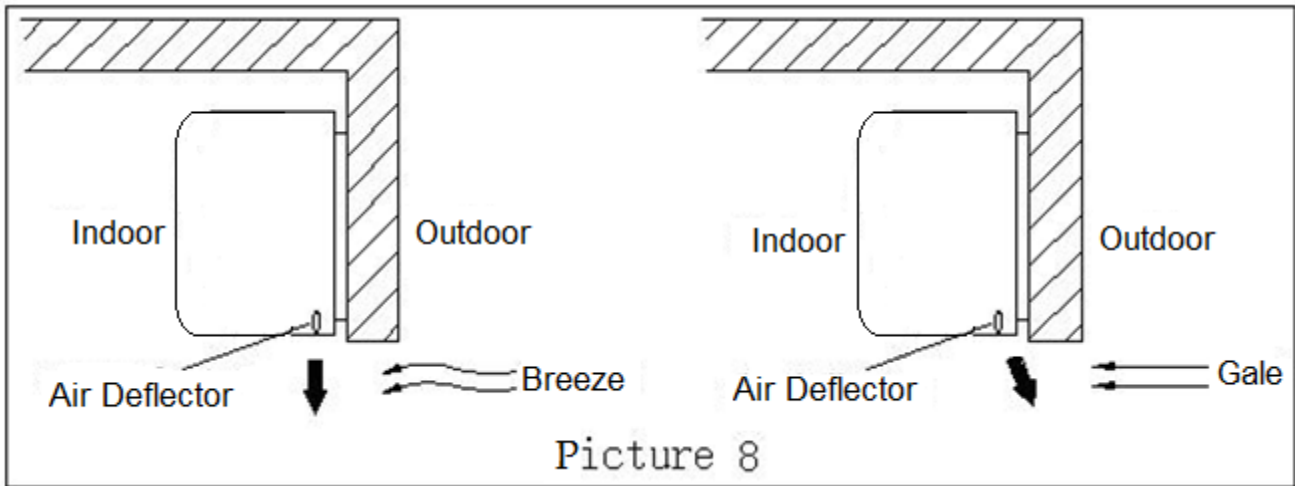


Picture 7-1



Picture 7-2

3. The air deflector of air curtain is adjustable. The air direction changed depends on the air deflector. (Picture 8)



4. The air curtain can be controlled by either the remote or automatically via the magnetic door switch. As mentioned above, the door switch allows the air curtain to turn on whenever the door opens which is convenient for when the door is normally kept closed. The remote can only turn the air curtain on when the door is open and Part A and B of the magnetic door switch are no longer touching. Once the door is open, and the air curtain is off, you can click the ON button on the remote and the air curtain will be activated to the setting of either HI or LO. If you wish to go back to having the air curtain controlled by the magnetic door switch, just go ahead and turn it off using the remote and turn it back on using the buttons directly on the air curtain itself as mentioned in #2 of section 9.

10. The Technology Parameter

Model	Rated Voltage (V)	Rated Frequency (Hz)	Max Input Power (w)	Max Input Flow (m ³ /h)	Max Wind Speed (m/s)	Noise (dBA)	N.W (lbs)	HP	# of Motors	Air Volume (CFM)	Amps
MIDORI-36	110	60	510	1450	20	≤48	36	1/8	2	1450	4
MIDORI-42	110	60	510	1450	20	≤48	39	1/8	2	1450	4
MIDORI-48	110	60	660	1930	20	≤49	50	3/8	2	1930	5.5
MIDORI-60	110	60	840	2420	20	≤52	61	1/2	3	2420	6.8
MIDORI-72	110	60	980	2900	20	≤54	72	1/2	3	2900	8

11. Service and Maintenance

1. The power should be cut off before inspection and maintenance.
2. Motors, electrical components should be moisture-proof to prevent a short circuit.
3. Every six months, carry out normal periodic repairs and maintenance to remove the dirt from air curtain.
Please use cleaning detergents to clean, and then wipe with a clean, soft cloth.
Do not use gasoline, thinner, kerosene, fungicides or a metal brush to clean the machine.
4. Damaged supply cords to be replaced by the manufacturer, service agent or similarly qualified person to avoid hazard.

12. Product Warranty (1 Year Labor & Parts)

1. This appliance is not intended for use by persons (including children) with reduced physical, sensory or mental capabilities, or lack of experience and knowledge, unless they have been given supervision or instruction concerning use of the appliance by a person responsible for their safety.
2. Children should be supervised to ensure that they do not play with the appliance.
3. If the product's quality is indeed the problem, the product's return, replacement or repair is free of charge. (Warranty excludes the magnetic door switch and remote control.)
4. Our products are tested to ensure they are functioning properly before shipping out to customers.
5. The product must have been purchased within one year, under normal use and maintenance of machines for the products to be in the free repair period.
6. Repair products up to one year, but will be charged for one of the following repairs:
(1) The damage of use, maintenance or custody caused by improper use; (2) Damage due to the demolition or moving of the company maintenance department to repair damage; (3) Without a valid invoice or the purchase certificate; (4) Inconsistent maintenance of products; (5) Damage due to major force

Hold Onto For Your Records

Air Curtain Model Name: _____

Date of Purchase: _____

Purchased From: _____